



Digital Temperature Controller
www.foxeng.co.kr

Operating Manual



Thank you very much for selecting our products.

1 Caution for your safety

Please read this instruction carefully before using this controller
* The manual's information & specification can changeable to improve its quality without any notification.

! Safety

1. Pls use this item after installing the duplex safety device in which is applied at dangerous factors such as serious human injury or serious damages of property & important machine because this item is not designed as safety device
2. Do not checking or repairing when it is power on
3. Please check the terminal number before connecting power supply
4. Do not disassembling or opening, remodeling, repairing without any permission

! Safety Instruction and Hazard Warnings

- Please read the operating manual through completely before putting the device into operation.
- We will not assume any responsibility for damage to assets or persons caused by improper handling or failure to observe the safety instructions or hazard warnings.
- For safety and licensing reasons, unauthorized conversion and/or modification of the device is not permitted.
- Do not exceed the maximum permissible current - in case of higher loads, use a contactor of adequate power. Make sure that the supplied voltage matches the values specified for the instrument.
- The device must be adequately protected from water and dust as per the application and must be accessible via the use of appropriate tools
- The device must not be exposed to extreme temperature, sunlight, strong vibrations or high levels of humidity.
- Operation or installation is not permitted under unfavorable ambient conditions such as wetness or excessive induction loads or solenoid and dust, combustible gases, vapors or solvents, especially high-frequency noise
- Avoid operation or installation close to high-frequency fields such as welding devices, sewing machines, wireless transmitter, radio systems, SCR controller, etc
- Do not install the sensor cable nearby signal cable, power cable, load cable
- Please use the shield cable when the sensor cable's lengthen, however do not make it too much longer
- Please use the sensor cable without any cutting or flaw, blemish.
- The device is not a toy and should be kept away from children
- Installation work must only be carried out by suitably qualified personnel who are familiar with the hazards involved and with the relevant regulations.
- You shouldn't tinker with anything or the product may not be opened or disassembled unless you know what you're doing. Please ask us about this questioning

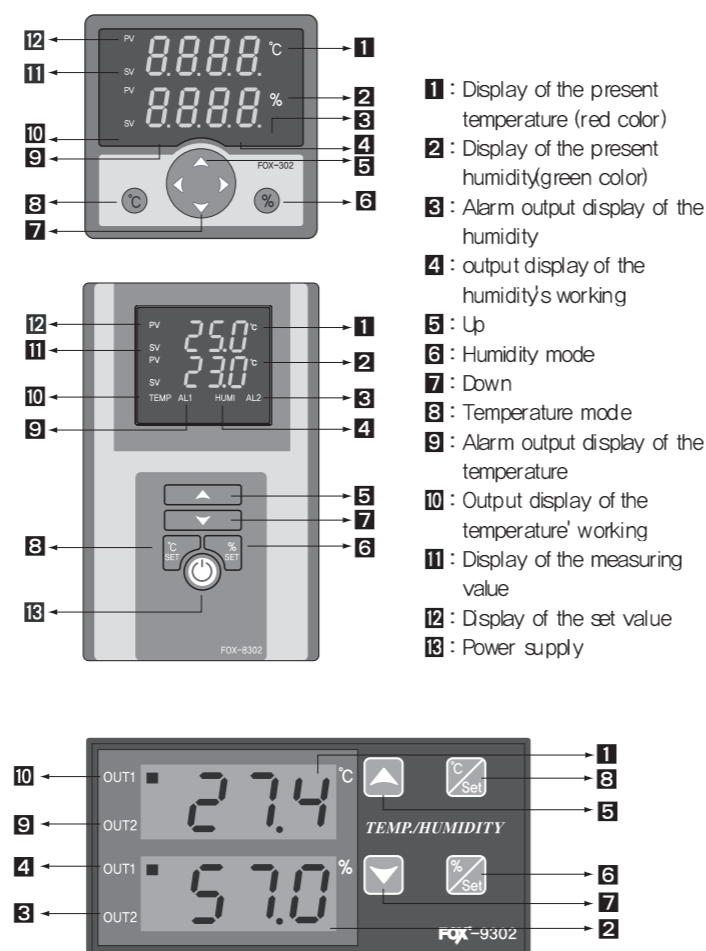
! Danger

Attention ! Never work on electrical connections when the machine is switched on

2 Composition

model	sensor	temp./humi.range	external size	function
FOX-302	NTC 10K HM1500	-55.0 ~ 99.9°C 0.0 ~ 100.0%	W72 X H72mm	temp. control humi. contrd
FOX-9302	NTC 10K HM1500	-55.0 ~ 99.9°C 0.0 ~ 100.0%	W96 X H48mm	temp. control humi. contrd
FOX-8302	NTC 10K HM1500	-55.0 ~ 99.9°C 0.0 ~ 100.0%	W94 X H150mm	temp. control humi. contrd
FOX-302R	NTC 10K HM1500	-55.0 ~ 99.9°C 0.0 ~ 100.0%	W72 X H72mm	temp. control humi. contrd RS485 communication
FOX-9302R	NTC 10K HM1500	-55.0 ~ 99.9°C 0.0 ~ 100.0%	W96 X H48mm	temp. control humi. contrd RS485 communication
FOX-8302R	NTC 10K HM1500	-55.0 ~ 99.9°C 0.0 ~ 100.0%	W94 X H150mm	temp. control humi. contrd RS485 communication

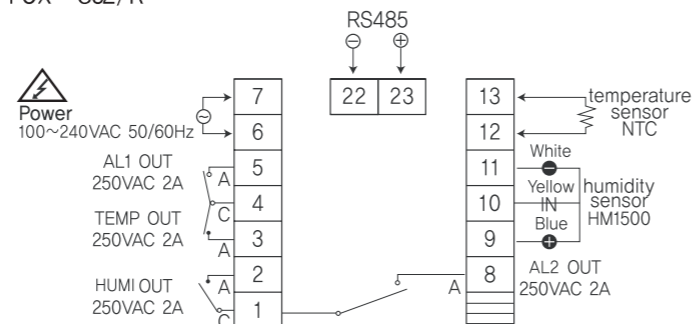
3 Part name



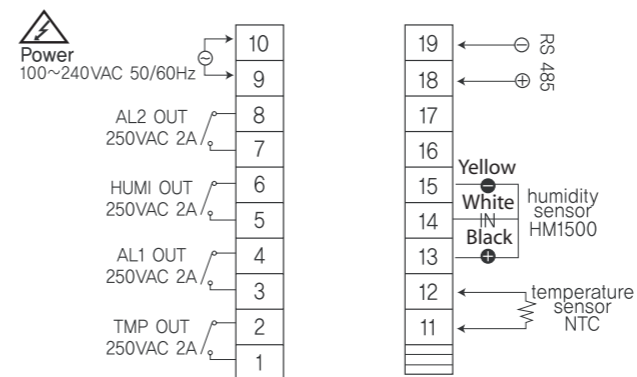
4 Connection

output : 250VAC 2A
Please make use of the power relay or a suitable magnet surely.

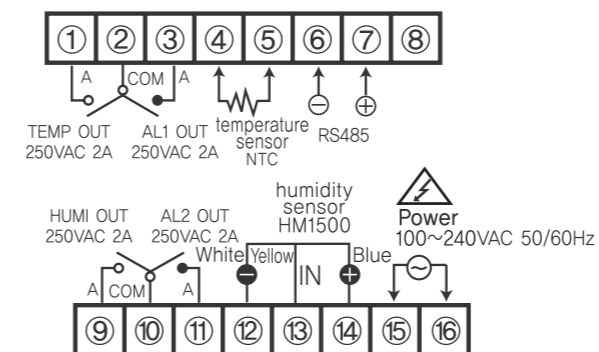
► FOX - 302/R



► FOX - 9302/R

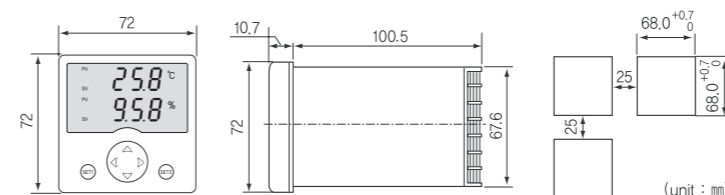


► FOX -8302/R

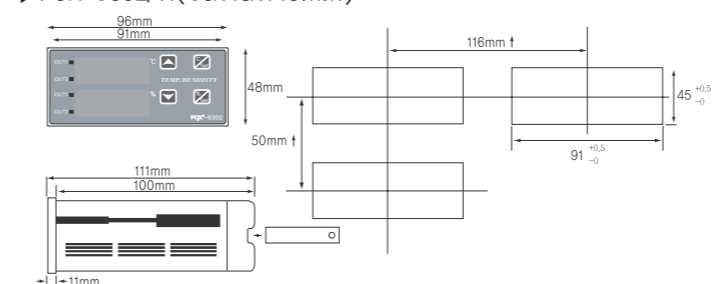


5 Size & Dimension

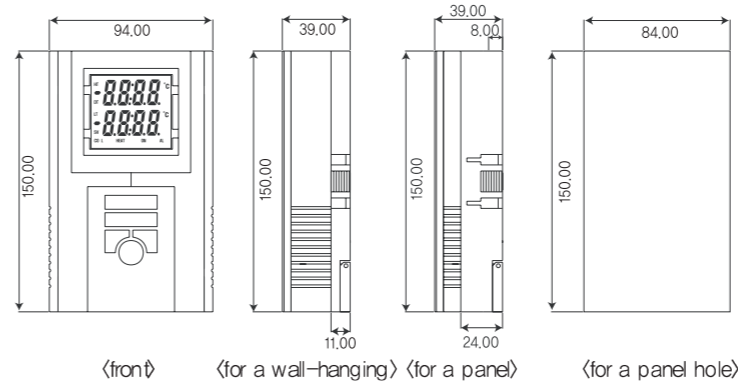
► FOX -302/R (72x72x110mm)



► FOX -9302/R (96x48x110mm)

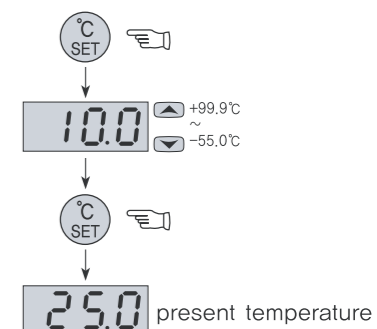


► FOX -8302/R (94x150x39mm)

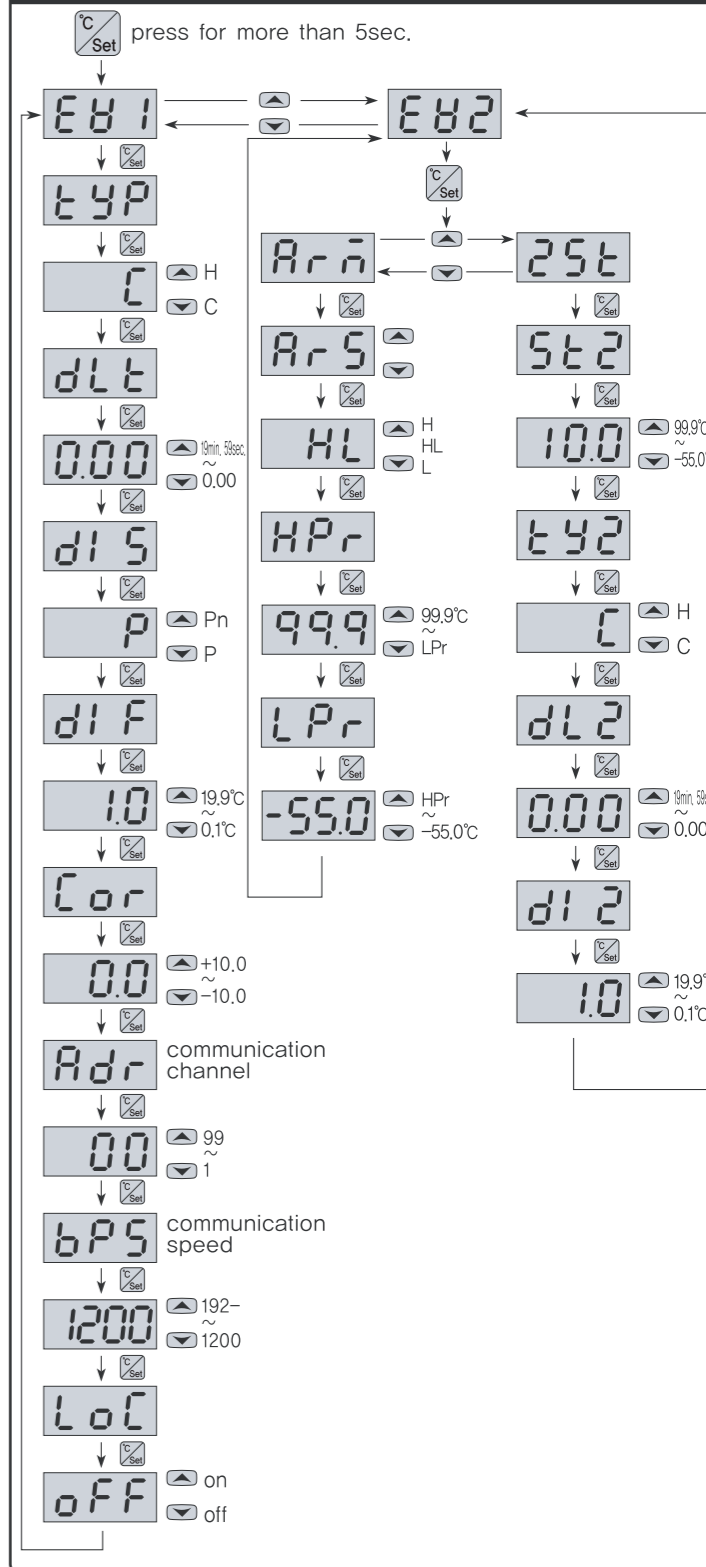


6 Temperature

Setting for the temperature

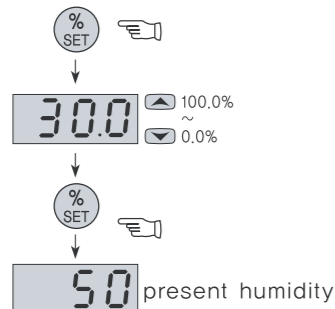


Setting for temperature programs

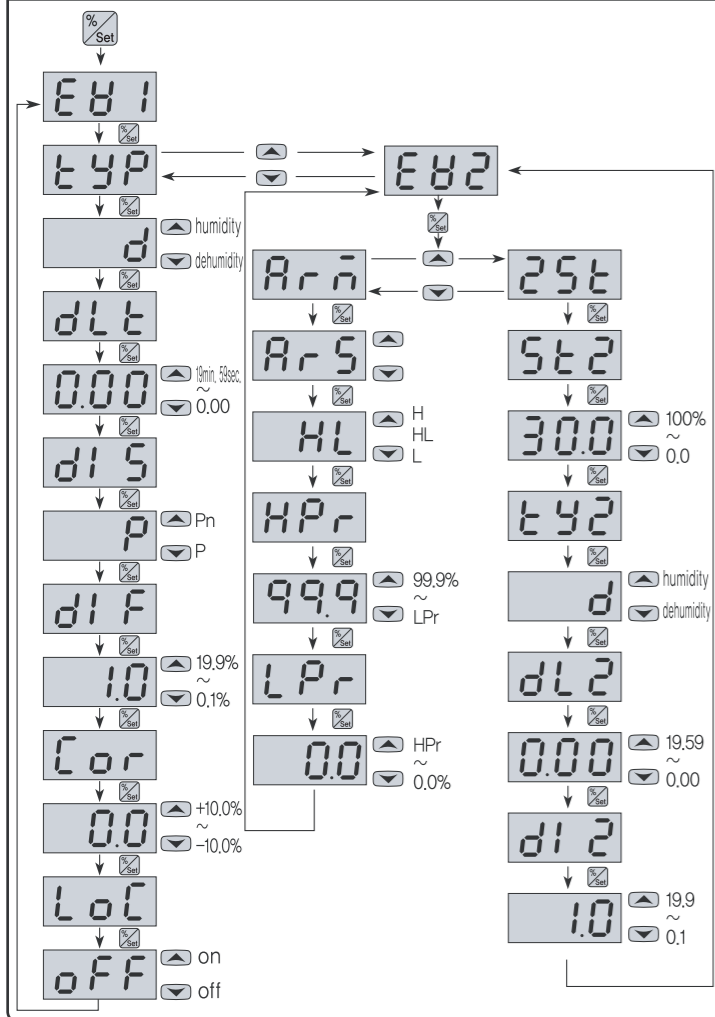


7 Humidity

Setting for the humidity



Setting for humidity programs

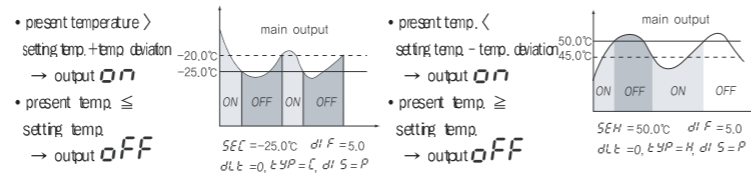


※To change it with program mode, press the --key for more than 5 second in the present temperature display mode.
 ※The set or programming mode is terminated, if you press the --key, parameters(set values) are saved after the display shows OK letter or return to present temperature automatically after 3 second.

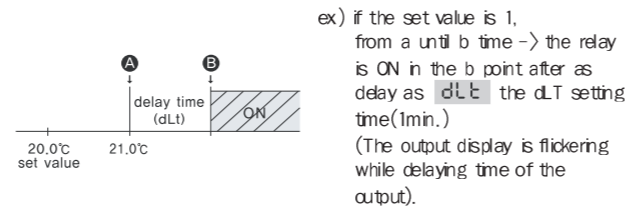
8 Detailed manual

- tYP** : temperature : possible to select the coding or heating, humidity : possible to select the humidity or dehumidity.
- dIF** : Setting for temperature deviation
 - In the ON/OFF control, it needs at regular interval between ON and OFF.
 - By operating the ON/OFF control frequently, the relay or its output contact can be damaged quickly and it also occurs the hunting(oscillating, chattering) by virtue of external noise. You can make use of the temperature deviation in order to protect its relay or contact and so on.

ex=> The method of the temp. deviation when ON/OFF control



- dLT** : Delay time of the output
 - It is widely used as the followings
 - in case of operating the ON/OFF control very often,
 - to protect the operation machinery when re-input of the power supply or momentary stoppage of power supply



- CoR** : Correction of the present temperature.
 - It is used for the correction of a discrepancy between the display temperature and real temperature

ex) real temp. : 10.0°C → **CoR** : 0.0 ⇒ -20 correction
 → 10.0°C display

- Adr** : Communication channel
 - To designate the channel while RS485 communication working
- bPS** : Communication speed(velocity)
 - 120, 1200 : 1200bps
 - 240, 2400 : 2400bps
 - 480, 4800 : 4800bps
 - 960, 9600 : 9600bps
 - 192, 1920 : 19200bps

- (Start bit 1, Stop bit 1, Non parity)
- LoC** : The lock function : As a safety device, it is used in order not to change the set values except for the main user.
 - ON- setting for the lock function.
 - OFF- removal for the lock function
 - ARN** : 25t auxiliary output → alarm function(impossible to set the 2ST while this function working)
 - 25t** : **ARN** auxiliary output → 2-stage function(impossible to set the ARN while this function working)
 - HPr** : Setting function of the alarm temperature for the highest limit
 - It will be operated higher than HPr set value
 - LPr** : Setting function of the alarm temperature for the lowest limit.
 - It will be operated lower than LPr set value
 - AR5** : Selection of the alarm output style
 - H** : output is turn on - when a high or a low temperature is more than HPr set value
 - HL** : outputs are on - both more than HPr and less than **LPr**
 - L** : output is turn on -when a high or a low temperature is less than LPr set value.
 - 5t2** : auxiliary output- refer to no.1
 - tY2** : auxiliary output - refer to no.2
 - dL2** : auxiliary output -refer to no.3

9 Temp./humidity range when deliver

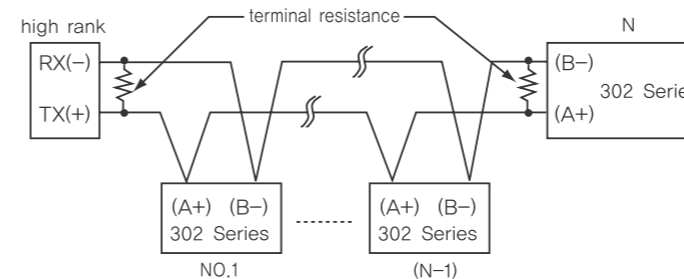
Display	Range	set values when deliver
°C/SET	temperature : -55.0~99.9°C	temperature : 10.0
%/SET	humidity : 0.1~100.0%	humidity : 30.0
tYP	temperature : C / H humidity : d / H	temperature : C humidity : d
dLT	0.00 ~ 19minute 59second	0.00
dI S	P / Pn	P
dI F	0.1 ~ 19.9	1.0
CoR	temperature : -15.0 ~ 15.0°C humidity : -10.0 ~ 10.0%	
LoC	on / off	off
ARN	selection of the alarm function	
25t	2-stage setting function	
AR5	H / HL / L	HL
HPr	temperature : LPr ~ 99.9°C humidity : LPr ~ 100.0%	temperature : 99.9°C humidity : 100.0%
LPr	temperature : -55.0°C ~ HPr humidity : 0.0% ~ HPr	temperature : -55.0°C humidity : 0.0%
5t2	temperature : -55.0 ~ 99.9°C humidity : 0.0 ~ 100.0%	temperature : 10.0°C humidity : 30.0%
tY2	temperature : C / H humidity : d / H	temperature : C humidity : d
dL2	0.00 ~ 19minute 59second	0.00
dI 2	0.1 ~ 19.9	1.0

10 Communication output

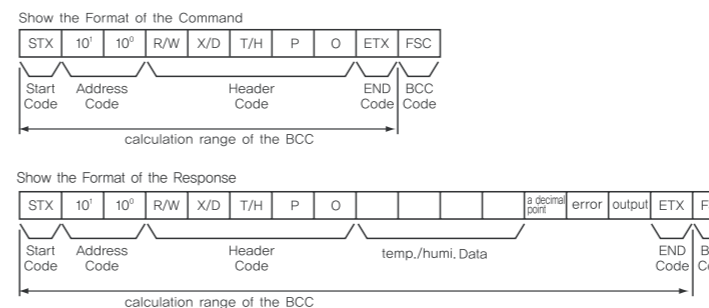
Interface

specification	in conformity EIA RS485
maximum connection	32(However, available to set the Address from 01 until 99)
the method of communication	two-wire half-duplex operation
synchronous system	asynchronous system
communication distance	within 1.2km
communication speed	1200/2400/4800/9600/19200bps(possible to selection)
Start bit	fixed 1bit
Stop bit	fixed 1bit
Parity bit	none
Data bit	fixed 8bit
Prdcod	BCC

System



Definition between communication command and Block



- Start Code**
 - show the lead(head) of the Block
 - ACK will be added in case of Response, STX->[02H]
- Address Code**
 - A high rank system can discriminates the channel code number among FOX-300series
 - It is available to set between 01 and 99(BCD ASC II)
- Header Code**

- show the command name as a alphabetic letter
 RX(reading demand) → R[52H], X[58H]
 RD(reading response) → R[52H], D[44H]
 WX(writing demand) → W[57H], X[58H]
 WD(writing response) → W[57H], D[44H]
 TPO(temperature measuring value) → W[54H], P[50], O[30H]
 HPO(humidity measuring value) → H[48H], F[50], C[30H]
- Composition of Data
 - Data is displayed as "Hexadecimal"
 - Decimal point → O[30H] there is no "decimal point"
 1[31H] there is "decimal point"
 - Error → O[30H] there is no "error"
 1[31] open error of the sensor's cable
 2[32] short-circuited error of the sensor
 - Output → O[30H] TEMP/AL1 OUT ON
 HUMI/AL2 OUT ON
 1[31H] TEMP/AL1 OUT ON
 HUMI/AL2 OUT OFF
 2[32H] TEMP/AL1 OUT OFF
 HUMI/AL2 OUT ON
 3[33H] TEMP/AL1 OUT OFF
 HUMI/AL2 OUT OFF

- END Code
 - show the end(close) of the Block
- BCC
 - show the XOR arithmetic and logic values from the start(STX) to the ETX
 - the others : As of no response of the ACK
 - in case of not equivalent to the channel after receiving STX
 - in case of generating the Receive Buffer Overflow
 - in case of not equivalent to the communication's set values or baud rate
 - treatment- in case of not response of the ACK
 - check the cable
 - check the communication's condition (set values)
 - if the main cause of the status is the noise, try to do communication practicing 3 times until recovering normally.
 - change the communication speed in case of bring about the communication's error frequently.

11 Error message

- E-1** Memory error. Turn the power off and turn it on again
 If the error message persists, please request us A/S by return
- o-E** Sensor error. The sensor is interrupted. Check the cable.
- 5-E** Sensor error. The sensor is short-circuited. Check the cable

※The product's specification can be changed without any notification to improve its quality.

■H. Office : B-112, Techno plaza 681-11 Junpo 1 dong, Busanjin-ku, Busan, Korea
 Factory : B-408,409,410 Techno plaza 681-11 Junpo 1 dong, Busanjin-ku, Busan, Korea
 A/S TEL : +82-51-819-0426 FAX : 82-51-819-4562
 E - mail : foxeng@foxeng.co.kr
 Homepage : http://www.foxeng.co.kr

※This device works proper operation with:
 Surrounding Temp. : 0°C~60°C
 Surrounding Humi. : below 80%RH
 Regular power : 220VAC±10% 50/60Hz

- Main products & Development
 - Digital temperature controller
 - Digital humidity controller
 - Digital timer